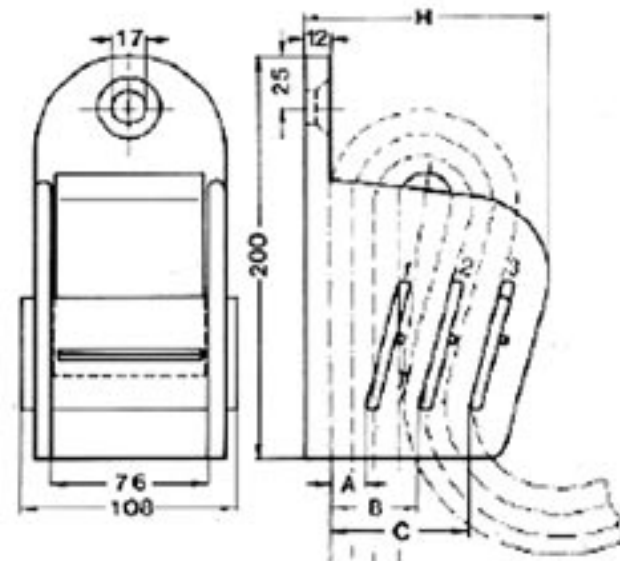


## Suspension clamps for flat cable HFKA 1, HFKA 2, HFKA 3

Recommended for halogen free applications

### Description



### Application

Suspension clamps used for lift cables, especially used for halogen free installations.

### Design

Material:

Clamp body, wedge and clamp counterpart:  
Aluminium cast alloy

Dimensions:

Type	H	A	B	C
HFKA 2	95	14,5	42	-
HFKA 3	121	14,5	42	67

### Special accessories for flat cables

Recommended for halogen free applications

Discount: \_\_\_\_\_

Description	Type	Euro/unit
Suspension clamp for flat cable	HFKA 1	on request
	HFKA 2	on request
	HFKA 3	on request