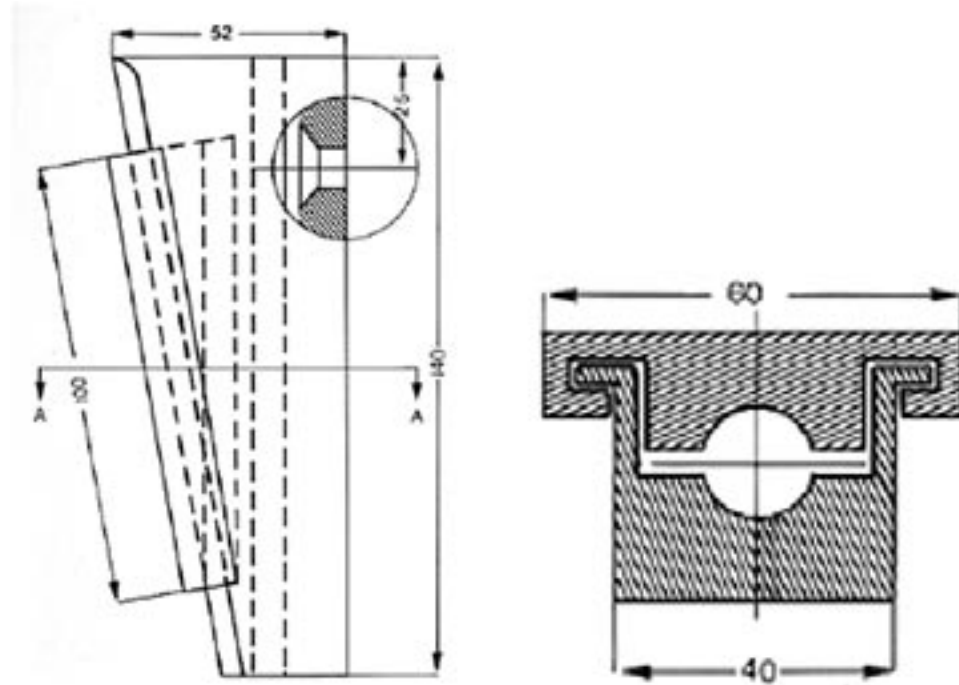


Suspension clamps for round cable HRKA

Recommended for halogen free applications

Description



Application

Suspension clamps used for round lift cable, especially used for halogen free installations.

Design

Material: Special aluminium alloy

Cable diameter:

HRKA 0	8 - 16 mm
HRKA 1	17 - 21 mm
HRKA 2	22 - 25 mm

Special accessories for round cables

Recommended for halogen free applications

Discount: _____

Description	Type	Euro/unit
Suspension clamp for round cable	HRKA 0	33,00
	HRKA 1	26,98
	HRKA 2	26,98